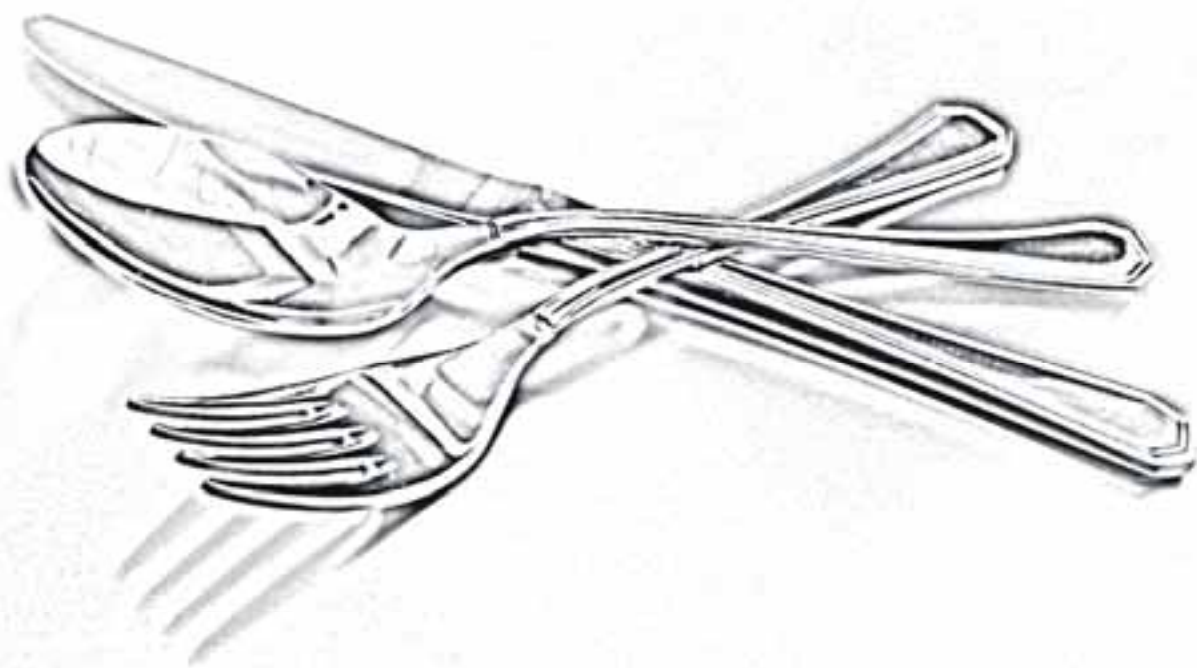


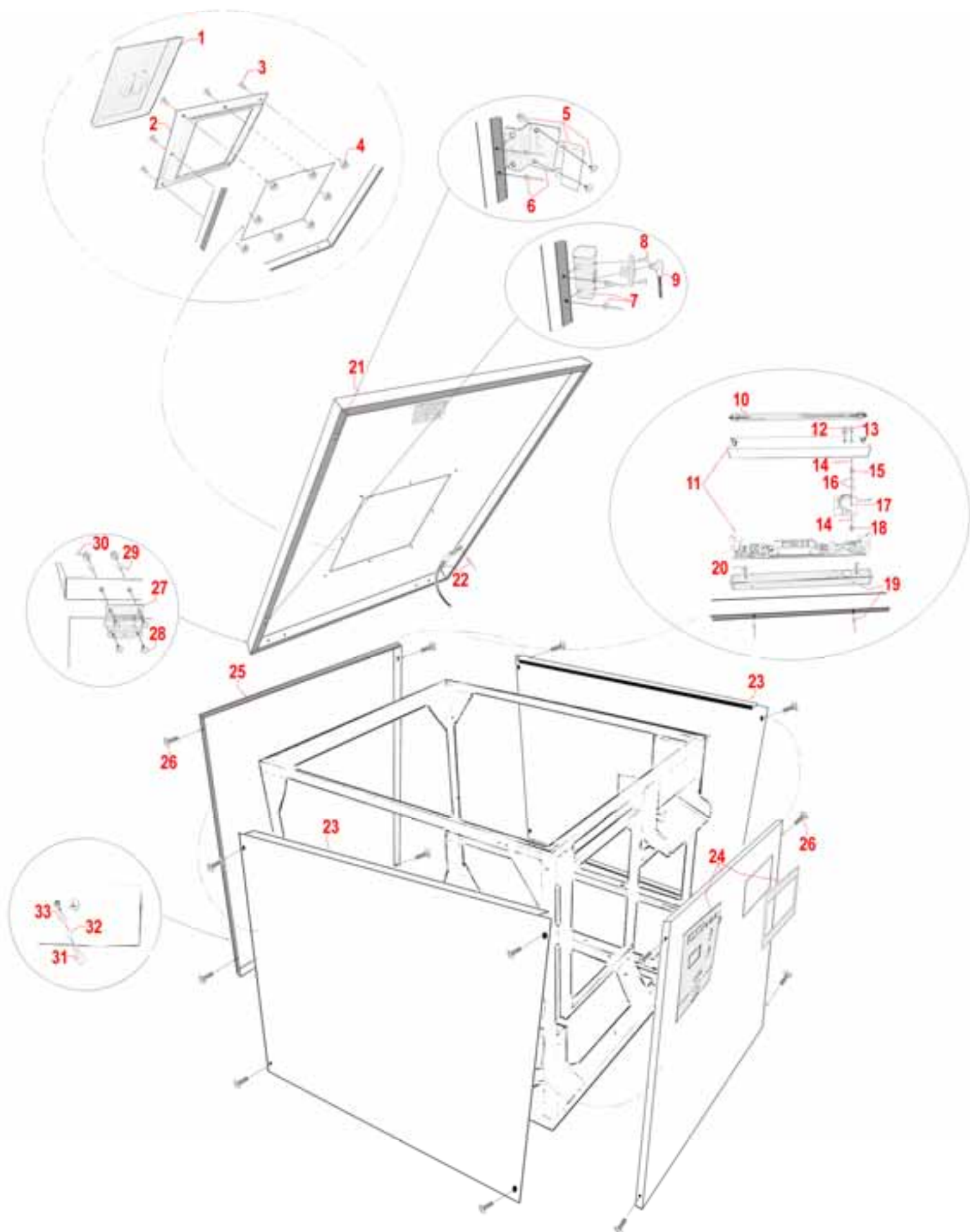


Lugama Großküchentechnik
A-5570 Mauterndorf 384
Tel. + 43 (0) 6472 / 77 04 - 0
Fax: + 43 (0) 6472 / 77 04 - 13
info@lugama.at
www.lugama.at

POLISTAR CUTLERY POLISHER **MK 8000 M3**

Spare Parts List





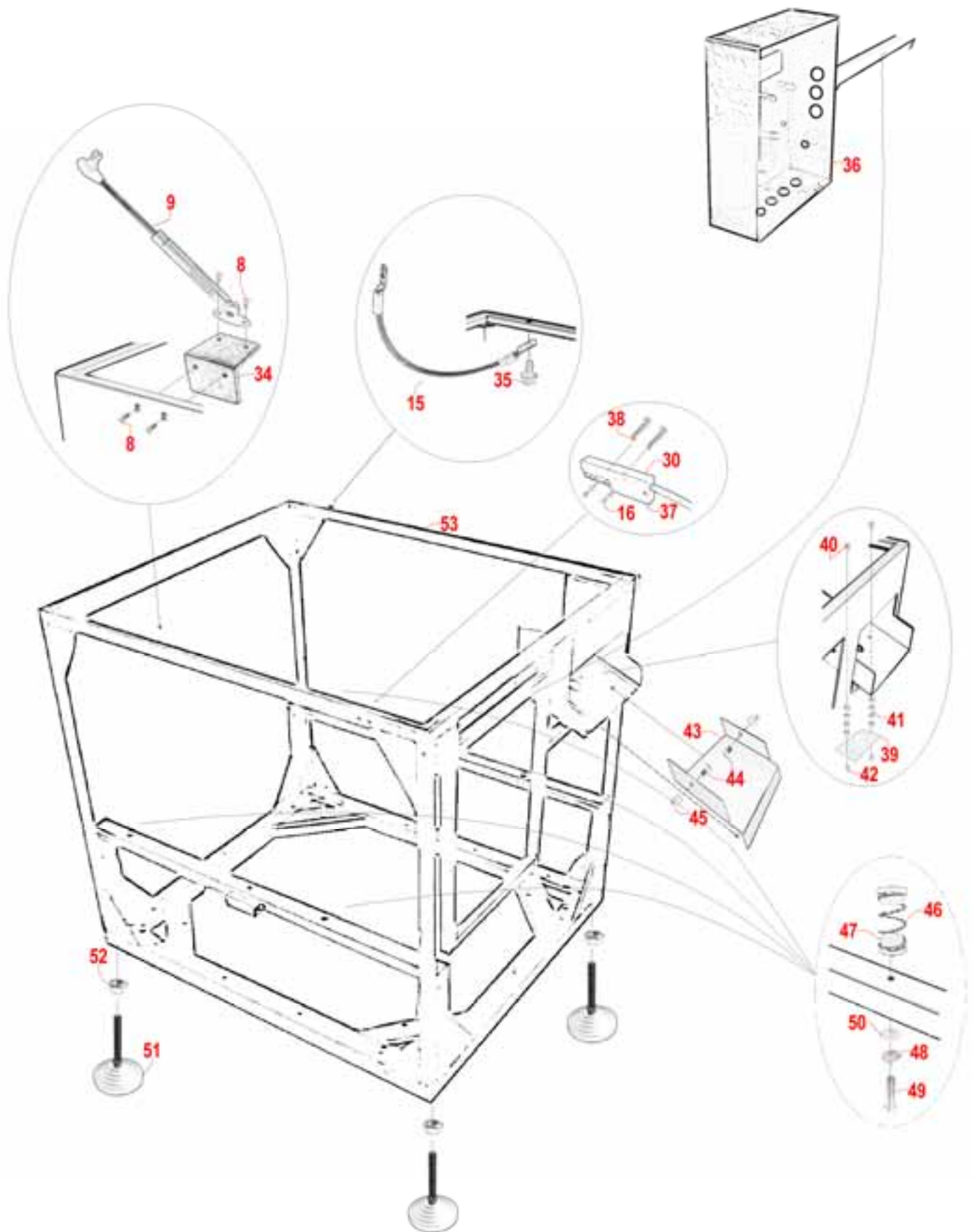
POLISTAR MK 8000 M3

PAGE 1: Cladding, Cap

Spare Parts

pos.	rec.	order nr.	description	piece
1	*	HAG003P	blue cap for slot	1
2	*	HAG002P	blue frame for slot	1
3		K2089510P	screw A2 5x10	8
4		K03925P	nut V2A M5	8
5	*	POL600P	magnet for touch sensitive switch incl. mounting	1
6		POL601P	mounting sheet niro incl. 2 rivets	1
7		POL602P	profile niro incl. 2 rivets	1
8		K2089410P	screw V2A 4x10	2
9	*	SC325140P	retainer for cap	1
10	*	SK008WP	UVC-lamp	1
11	*	RI01513P	beam for UV-lamp	1
12		CO181301P	LED retainer	1
13		K0287416P	cylinder head bolt M SL A2 4x16	1
14		K04284P	lock washer M4	2
15		K03694P	self-locking nut M4	1
16		K0409016P	washer M4	2
17		POL603P	UVC-sensor	1
18		KEL934	nut M4	1
19		POL604P	profile for UV-beam incl. 2 rivets	1
20		K0046412P	cylinder head bolt M4x12	2
21		POL605P	cap incl. 7 rivets	1
22	*	POL606P	retaining wire incl. 1 rivet	1
23		TH601P	side panel left or right	2
24		POL607P	front incl. frame for ejection and keypad	1
25		TH602P	rear panel	1
26		K99923510P	screw 5x10 A2	16
27	*	ZI00000P	hinge plastic	2
28		K987404P	screw 6x16 A2	8
29		K04196P	washer M6	8
30		K03926P	self-locking nut M6	8
31		K0057516P	screw 8.8 VZ 5x16	1
32		K14075P	washer M5	1
33		KEL6797	lock washer M5	1

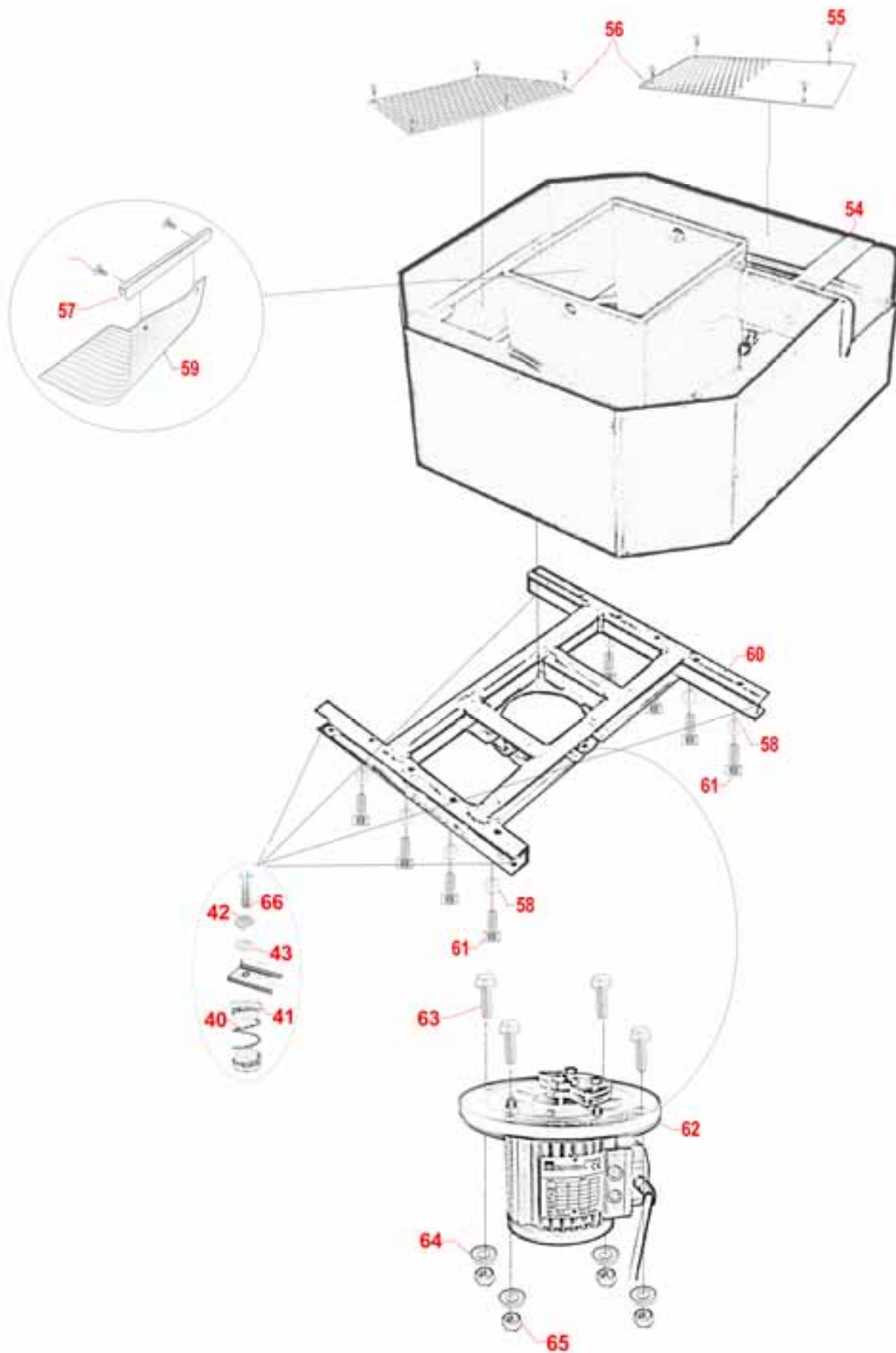
* = recommended parts for stock



pos.	rec.	order nr.	description	piece
8		K2089410P	screw V2A 4x10	4
9	*	SC325140P	retainer for cap	1
22	*	POL606P	retaining wire incl. 1 rivet	1
34		POL608P	sheet steel angle niro	1
35		K0273612P	screw 10.9 DACR 6x12	1
36		POL609P	electric control cabinet	1
37	*	POL610P	touch sensitive switch „reed“ incl. cable	1
16		K0409016P	washer M4	4
38		K0287416P	screw M4x16	2
39		POL611P	cutlery sensor	1
40		K0281320P	screw M3x20	2
41		K13253P	nut M3	8
42		K03923P	self-locking nut M3	2
43	*	HAG001P	cutlery cute	1
44		K2089610P	screw A2 6x10	2
45		K03486P	acorn nut A2 M6	1
46	*	HENN15635P	pressure spring	4
47		HENN15363P	cone for spring	8
48		K04418P	spring washer M8	4
49		K0057840P	screw M8x40	4
50		K04098P	washer A2 M8	4
51	*	NORM005P	part of joint incl. screw	4
52		K132510P	nut FKL 5 VZ M10	4
53		TH605P	box	1

* = recommended parts for stock

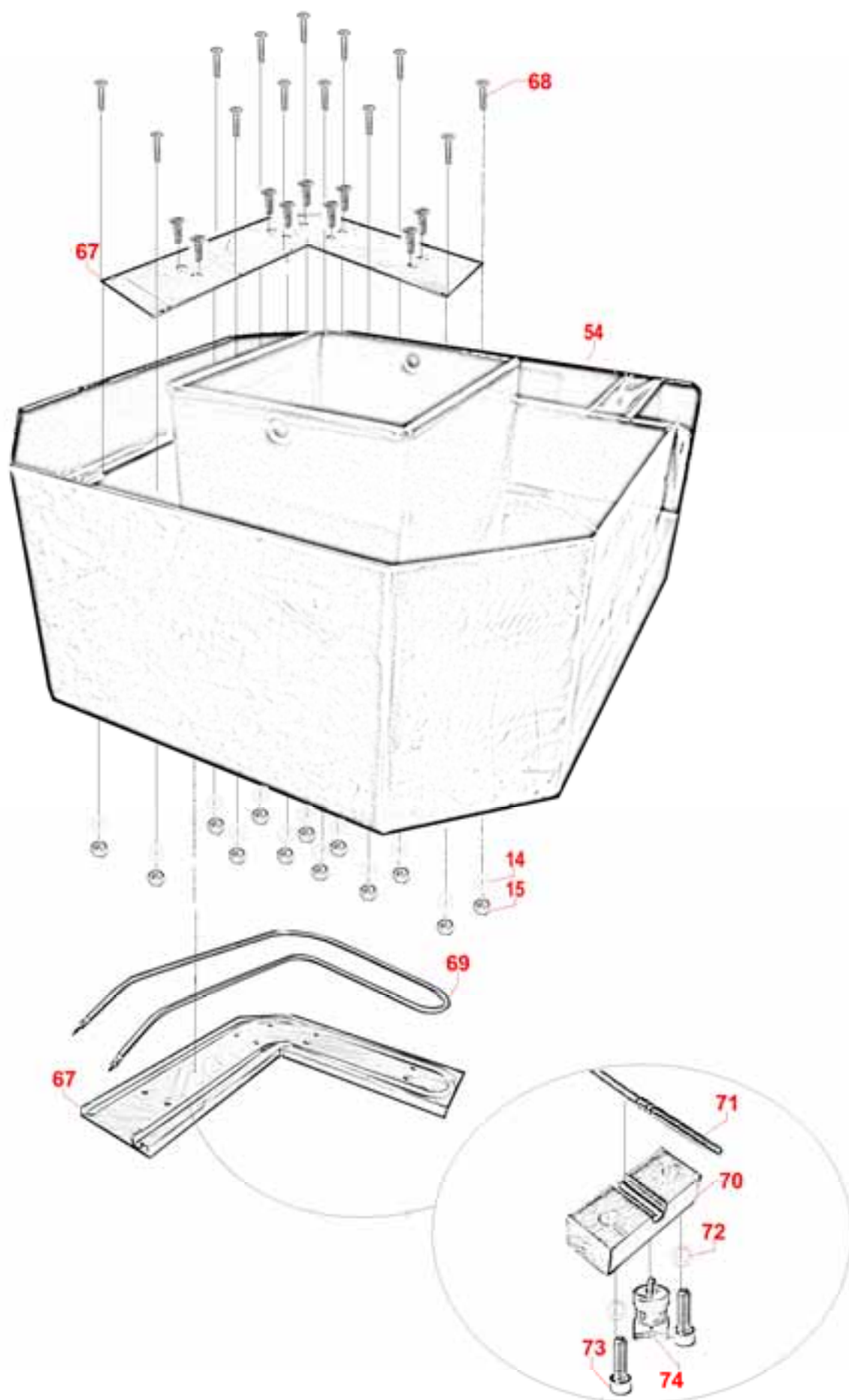
V 1.0. per 01.09.2010



pos.	rec.	order nr.	description	piece
54		TH606P	vat	1
55		K2089616P	screw 8.8 VZ 8x30	9
56		TH607P	perforated plates 1 pair (= 2 pieces)	1
57		TH608P	U-profile for mat	1
26		K99923510P	screw M5x10	2
58		K04298P	lock washer M8	9
59		POL612P	mat	1
60		TH609P	base frame of vat	1
61		K1057820P	screw VZ 8x20	9
62		POL613P	vibration motor	1
63		K027441040P	screw M10x40	4
64		K240710P	washer M10	4
65		K037110P	self-locking nut M10	4
46	*	HENN15635P	pressure spring	4
47		HENN15363P	cone for spring	8
48		K04418P	spring washer M8	4
66		K0057830P	screw M8x30	4
50		K04098P	washer A2 M8	4

* = recommended parts for stock

V 1.0 per 01.09.2010

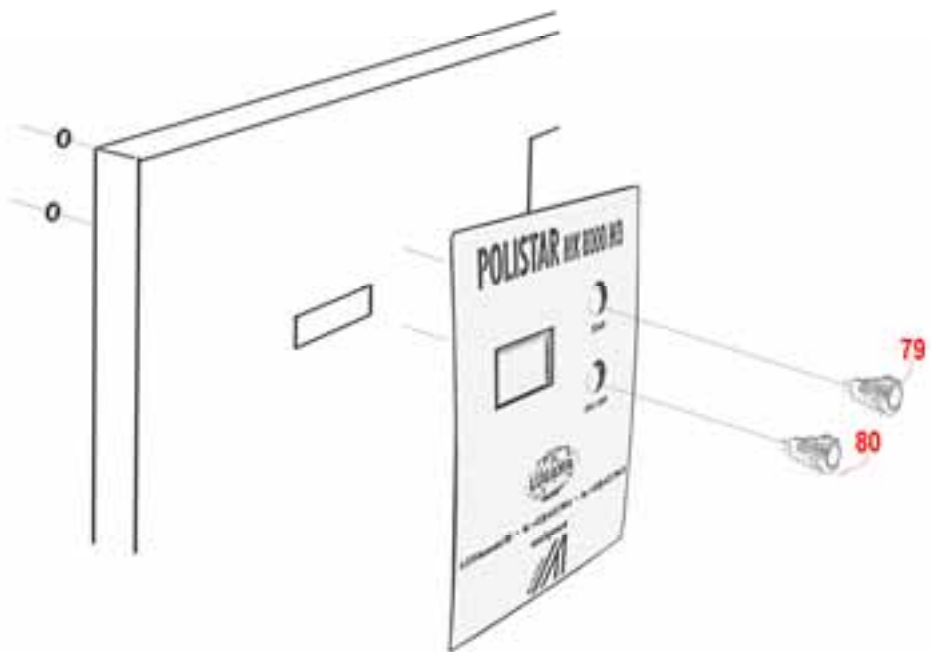
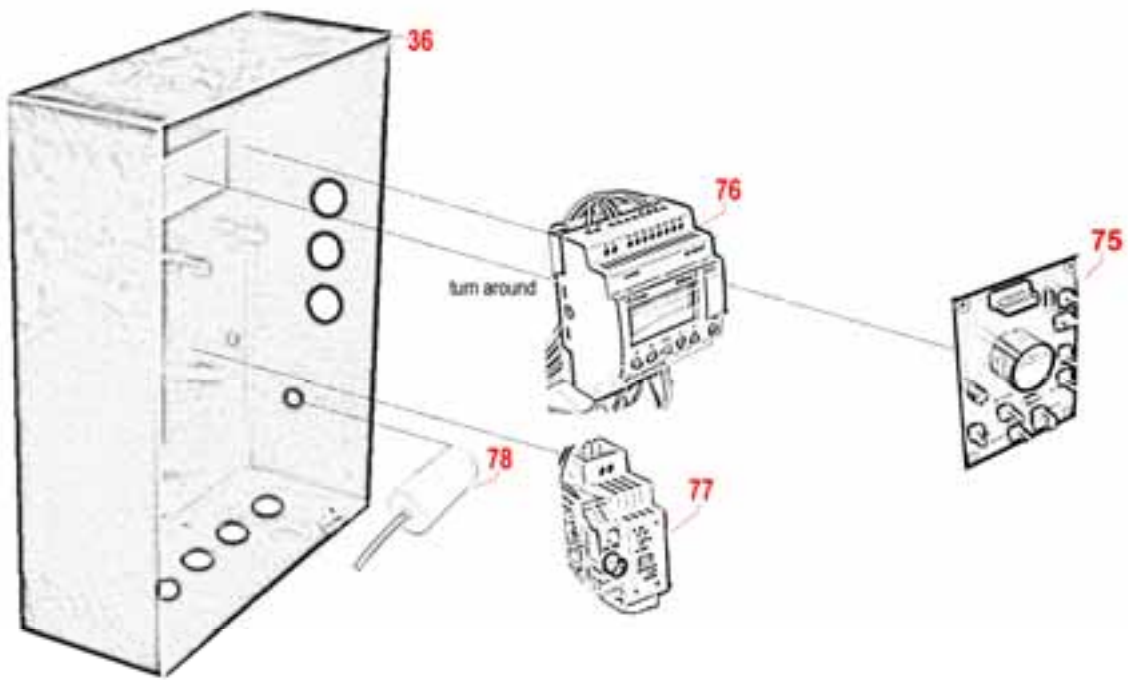


pos. rec.	order nr.	description	piece
54	TH606P	vat	1
67	TH610P	heating board 1 pair (= 2 pieces) including : TH610P heating board and TH612P stainless steel plate **	1
55	K2089616P	screw V2A 6x16	9
68	K2089420P	screw A2-70 4x20	13
14	K04284P	lock washer M4	13
15	K03694P	self-locking nut A2 M4	13
69	LOOS002P	heating	1
70	TH611P	fixture of temperature sensor	1
71	POL614P	temperature sensor	1
72	K04296P	lock washer M6	2
73	K0084630P	screw 8x8 VZ 6x30	2
74	EPIKB3401200P	switch excess guard	1

* = recommended parts for stock

** = separate available on request

V 1.0 per 01.09.2010



pos.	rec.	order nr.	description	piece
36		POL609P	electric control cabinet	1
75		POL615P	connection circuit board	1
76		POL616P	Millenium III	1
77		POL617P	Netzteil f. Millenium	1
78		POL618P	capacitor 16 µF	1
79		POL619P	push button blue	1
80		POL620P	push button green	1

* = recommended parts for stock

V 1.0. per 01.09.2010